



Christine Long Derks <christine.long.tg@gmail.com>

---

## August Newsletter - Fiber Guild of Greater KC

1 message

---

**Fiber Guild of KC** <christine@treasuregoddess.com>  
Reply-To: Fiber Guild of KC <christine@treasuregoddess.com>  
To: Christine@treasuregoddess.com

Fri, Aug 5, 2016 at 5:09 PM



The Fiber Guild of Greater KC meetings are the second Wednesday of every month from 7-9pm at Old Mission United Methodist Church, 5519 State Park Road, Fairway, KS.

## August Program

Wed, August 10th

Come learn about wool combs with Mary Limpus!

## Upcoming Fiber Events!

## Camp Keirse 2016

### Camp Keirse 2016

Aug 25-28th, 2016 Amsterdam, MO

Weekend Fiber Retreat

(Details below Events List)

Contact Mary Limpus at [mlimpus@yahoo.com](mailto:mlimpus@yahoo.com)

### Salida Fiber Festival

Sept 10-22, 2016 Salida, CO

Historic Downtown Salida

Classes, vendor market & beer garden

Link: <http://www.salidafiberfestival.com/>



### Fiber Daze

Sept 16-18, 2016 Mt Vernon, MO

Mt Vernon Art & Rec Center

Classes & vendor market

Link: <http://www.fiberfolksofswmo.com/fiber-daze.html>

### Thrill of a Twill Workshop

Sept 19-20, 2016 KC, MO

Loose Park Garden Center in the Rose Room

Two day workshop with Robyn Spady

Presented by KC Weavers Guild

For more info, see Weavers Guild Website

Spady  
Studios



### Lake Area Fiber Festival

Oct 8, 2016 Camdenton, MO

Community Christian Church

Link:

<http://www.lakefiberarts.com/welcome/2015-festival>

# Ozark Fiber Fling

## November 4-5, 2016

### Lake Area Fiber Festival

Nov 4-5, 2016 Steelville, MO

Classes & vendor market

Gate Fee & 2-day wrist band \$5, free parking

Link: <http://www.ozarkfiberfling.com/>



### Creative Hand Show & Sale

Nov 18-19, 2016 Shawnee, KS

Joint sale between Fiber Guild & Weavers Guild

Link: <http://www.creativehandkc.org/>

### 3000 Year Old Thread & Bobbin Found!

Follow along with the adventure on their Facebook Page [HERE](#).

#### The cool info:

In the last few weeks and months, archaeologists have found a tiny ball of handspun thread (less than 1cm) and a tiny bobbin wound with more of this very thin, delicate thread that is at least 3000 years old!!

#### The official info:

Must Farm is an internationally significant archaeological site currently being excavated by the Cambridge Archaeological Un...it with the support of the University of Cambridge. The



project is funded by Historic England and Forterra. The excavation is set to uncover a remarkably well preserved Bronze Age settlement and offer a glimpse into the lives of the people who lived there 3,000 years ago.



## Ravellenic Games 2016

Another great excuse to CREATE! After much hubbub and a cease-and-desist letter to a group on [ravelry.com](http://ravelry.com) in 2012, the Ravellympic Games have been changed to the Ravellenic Games. Check out the ravelry [GROUP HERE](#).

**The One Rule To Rule Them All: Challenge yourself by starting and finishing one or more projects during the 2016 Summer Olympics.**

There are tons of additional rules and competitions you can join in or just follow along with. I just prefer to call the Olympic Games my personal excuse to sit for hours on end and knit, crochet and spin away!

Camp Keirsey  
2016

## Amsterdam Camp Keirsey 2016

August 25th – August 28th

Come join us in Amsterdam at Keirsey Camp for a Crank-in, Weaver's and Just Event. We have accommodations for gals and guys. You will need to bring bed bedding and towels.

Thursday, August 25th, 2016 arrival late afternoon, check-in and set up.

Thursday Dinner meal, on your own, there is a Café in Amsterdam.

Friday, August 26th Meals, snacks and desserts throughout the day.

Saturday, August 27th. Meals, snacks and desserts throughout the day.

Sunday August 28th Finishing up with Breakfast only.

Weaving with Jeff will cost an additional 75.00, please include this amount with your registration fee.

Cost \$125.00 Sleeping accommodations- food, coffee, tea, lemonade and water provided for Friday, Saturday and Sunday meal. Please feel free to bring your favorite dessert and/or snack to share with the group.

Space limited send your registration with fee ASAP, first come first serve.

Contact Mary Limpus at [mlimpus@yahoo.com](mailto:mlimpus@yahoo.com)

## Knitting on Netflix! - Aug 5th start

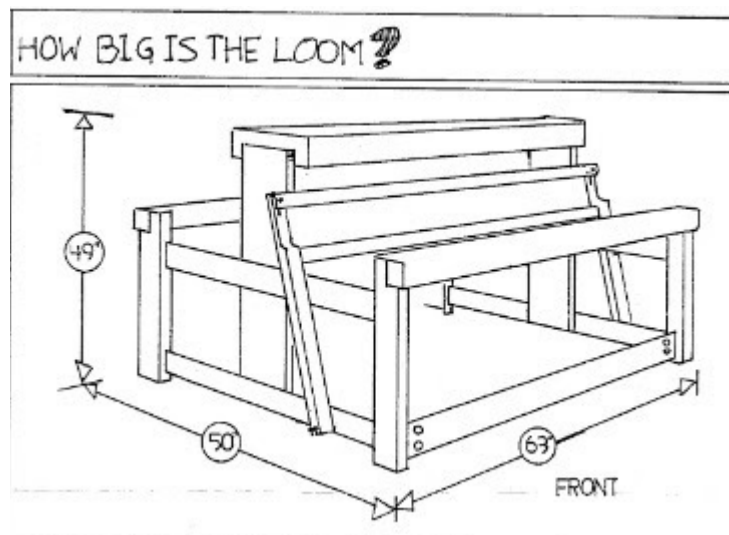
Netflix.com has been known to show all kinds of exciting shows, and now they're bringing KNITTING to TV!!

Slow TV, a Norway television company, had great success showing a 7 hour train ride.

Starting August 5th, you will be able to stream programs including:

- Slow TV: National Firewood Evening
- Slow TV: National Firewood Morning
- Slow TV: National Firewood Night
- Slow TV: National Knitting Evening
- Slow TV: National Knitting Morning
- Slow TV: National Knitting Night
- Slow TV: Northern Passage
- Slow TV: Northern Railway
- Slow TV: Salmon Fishing
- Slow TV: The Telemark Canal
- Slow TV: Train Ride Bergen to Oslo

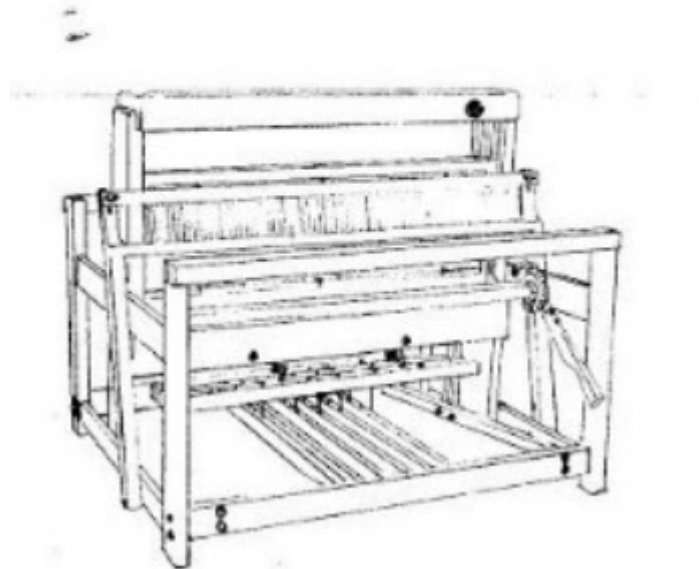
If you have a Netflix subscription, sit & knit along with some Norwegian friends!



## Fiber Designer Loom for Sale

### The FiberDesigner Loom

125 50th St. NW • Albuquerque, New Mexico 87105



Rebecca is an alumnae of KCAI who majored in fiber, and has a loom for sale. Fiber Designer Loom, 8 harness, 63" wide, 50" deep and 49" tall. Rebecca wants to sell the loom with accessories to make her studio a master bedroom for her mother to move into.

Please contact Rebecca at [573-301-6306](tel:573-301-6306) for more info or to make an offer.

Camp Keirse  
2016



August 25th – August 28th

Come join us in Amsterdam at Keirsey Camp for a Crank-in, Weaver's and Just Event. We have accommodations for gals and guys. You will need to bring bed bedding and towels.

Thursday, August 25th, 2016 arrival late afternoon, check-in and set up.

Thursday Dinner meal, on your own, there is a Café in Amsterdam.

Friday, August 26th Meals, snacks and desserts throughout the day.

Saturday, August 27th. Meals, snacks and desserts throughout the day.

Sunday August 28th Finishing up with Breakfast only.

Weaving with Jeff will cost an additional 75.00, please include this amount with your registration fee.

Cost \$125.00 Sleeping accommodations- food, coffee, tea, lemonade and water provided for Friday, Saturday and Sunday meal. Please feel free to bring your favorite dessert and/or snack to share with the group.

Space limited send your registration with fee ASAP, first come first serve.

Contact Mary Limpus at [mлимпus@yahoo.com](mailto:mлимпus@yahoo.com)

## July Meeting Minutes

To download your own version, click [HERE](#)

Fiber Guild of Greater Kansas City

Meeting Minutes for Wednesday, June 13, 2016

Attendees: 44, including 4 new members/guests

Treasury Report shows \$8,479.99, which includes \$737.56 I the Scholarship fund. To apply for a scholarship, please check the web site and follow the rules listed there.

The domain name has been paid up until 2025.

The All Missouri Spin In committee has decided on a venue – the Governor's building at the American Royal.

The Creative Hand Show & Sale is November 18-19. The application deadline is July 30<sup>th</sup>. Please review the revised rules on the Guild website.

Library: No new media

Newsletter: Please contact Christine Long-Derks if you have anynew events or news to share with the group.

Website: No report

Ravelry: The Tour De Fleece group on Ravelry is a community event coinciding with the Tour de France. Every day they ride, we spin.

The International Organization of Lace, Inc. convention was in Indianapolis, IN July 17 through the 23<sup>rd</sup>. The Johnson County (Kansas) Fair is the end of July. They are accepting entries from all submitters, no matter where they live.

The World Wide Spin in Public is September 17<sup>th</sup>.

The activity was a swap & shop.

The event in August is wool combs with Mary Limpus.



---

*Copyright © 2016 Fiber Guild of Greater Kansas City, All rights reserved.*

You are a member of the Fiber Guild of Greater Kansas City or the KC Weavers Guild. This adds you to the newsletter email list.

**Our mailing address is:**

Fiber Guild of Greater Kansas City  
PO Box 7098  
Fiber Guild of Greater KC  
Kansas Ctiy, MO 64113

[Add us to your address book](#)

Want to change how you receive these emails?

You can [update your preferences](#) or [unsubscribe from this list](#)

The MailChimp logo, featuring the word "MailChimp" in a white, cursive script font, centered within a grey rounded rectangular background.