



Christine Long Derks &lt;christine.long.tg@gmail.com&gt;

---

**September Newsletter - Fiber Guild of Greater KC**

2 messages

---

**Fiber Guild of KC** <christine@treasuregoddess.com>  
Reply-To: Fiber Guild of KC <christine@treasuregoddess.com>  
To: Christine@treasuregoddess.com

Mon, Sep 12, 2016 at 1:25 PM



The Fiber Guild of Greater KC meetings are the second Wednesday of every month from 7-9pm at Old Mission United Methodist Church, 5519 State Park Road, Fairway, KS.

## September Program

Wed, September 14th  
Needle Felting Presentation!

## Upcoming Fiber Events!

### Salida Fiber Festival

Sept 10-22, 2016 Salida, CO  
Historic Downtown Salida  
Classes, vendor market & beer garden  
Link: <http://www.salidafiberfestival.com/>





## Fiber Daze

Sept 16-18, 2016 Mt Vernon, MO

Mt Vernon Art & Rec Center

Classes & vendor market

Link: <http://www.fiberfolksofswmo.com/fiber-daze.html>



## Worldwide Spin In Public Day

Sat Sept 17, 2016

Members meet to sit & spin at

Brookside Farmers' Market

Link for Facebook group for international group

Link:

<https://www.facebook.com/groups/wwsipday/>

## Thrill of a Twill Workshop

Sept 19-20, 2016 KC, MO

Loose Park Garden Center in the Rose Room

Two day workshop with Robyn Spady

Presented by KC Weavers Guild

For more info, see Weavers Guild Website

Spady  
Studios



## Lake Area Fiber Festival

Oct 8, 2016 Camdenton, MO

Community Christian Church

Link:

<http://www.lakefiberarts.com/welcome/2015-festival>

Ozark Fiber Fling  
November 4-5, 2016

## Lake Area Fiber Festival

Nov 4-5, 2016 Steelville, MO

Classes & vendor market

Gate Fee & 2-day wrist band \$5, free parking

Link: <http://www.ozarkfiberfling.com/>



## Creative Hand Show & Sale

Nov 18-19, 2016 Shawnee, KS

Joint sale between Fiber Guild & Weavers Guild

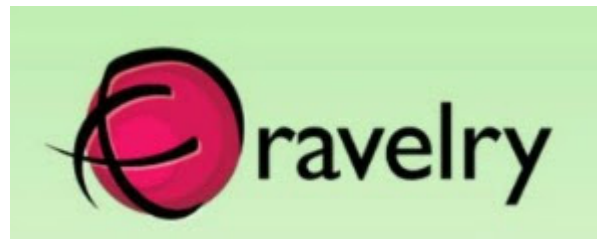
Link: <http://www.creativehandkc.org/>



## Spinzilla 2016

Spinzilla is a global event where teams and individuals compete in a friendly challenge to see who can spin the most yarn in a week! It's a great excuse to sit & spin through all that fiber you have sitting about. :)

LINK: <http://www.spinzilla.org/>



Hello members!

Ravelry has 6,419,130 registered users as of 8/26/2016.

Several Fiber Guild members have voiced interest in a learning session about Ravelry.

These will be done on a personal level - just one-on-one instead of a classroom setting.

This will make it easier for us to meet-up and allow you and I to concentrate on features that would interest you most.

So, if you want to schedule time with me, just email me

[foycrafters@gmail.com](mailto:foycrafters@gmail.com)

I am available only the months of September and October for 2016.

Email me NOW. Let's get started.

Happy Fiber Days,

Terry/foycrafters

### #fairfiberwage

There has been a lot of discussion online about paying teachers in the fiber arts world decent wages. What is fair? Beth Smith wrote a great blog post about the discussion and linked to many other good posts that help further this discussion. Here's Beth

Smith's Post : <http://bethsmithspinning.com/i-used-to-hire-teachers/>

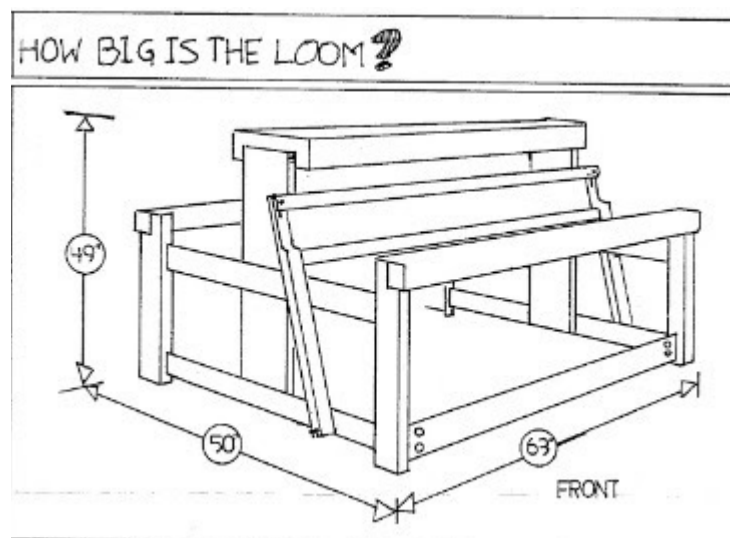


Member Teri Plemel found this amazing story and wanted to share...

LINK: <https://www.etsy.com/seller-handbook/article/inspiring-workspaces-these-isles/47383949368>

Eloïse Sentito has created a mobile weaving studio. The photos and

story behind her inspiring workplace is really worth a read! Please treat yourself by going to check this out.



## Fiber Designer Loom for Sale

### The FiberDesigner Loom

125 50th St. NW • Albuquerque, New Mexico 87105



Rebecca is an alumnae of KCAI who majored in fiber, and has a loom for sale. Fiber Designer Loom, 8 harness, 63" wide, 50" deep and 49" tall. Rebecca wants to sell the loom with accessories to make her studio a master bedroom for her mother to move into.

Please contact Rebecca at [573-301-6306](tel:573-301-6306) for more info or to make an offer.

## August Meeting Minutes

To download your own version, click [HERE](#)

Fiber Guild of Greater Kansas City August Meeting Minutes August 10, 2016

Meeting called to order by Lauri Davidson Attendance was 31, with one new member. Treasurer's report – Balance of \$7,979.99 Communications –

Ravelry will have a meetup – see Terry Kuehn for more information.

Outreach – September 17 is the World Wide Spin in Public day. There will be a meetup at the Brookside Farmers Market.

Library – the books and equipment are listed online; no new items.

Scholarship – a new scholarship was approved. The form is online for anyone to apply.

Felter's meeting – scheduled for August 27th.

Creative Hand – The event is November 18 & 19. The top ten sales categories were read. Fiber & yarn was # 1, then Scarves, accessories. Sixty artists have signed up so far. Remember that the artists are expected to sign up for a committee. Members planning on selling at Creative Hand are encouraged to check out the Pantone Colors for this fall. There is a link on the Guild web page.

The All Missouri Spin In is scheduled for April 29th. A Venue has been selected and a deposit put down.

Events – Please check the website/newsletter for upcoming events.



---

*Copyright © 2016 Fiber Guild of Greater Kansas City, All rights reserved.*

You are a member of the Fiber Guild of Greater Kansas City or the KC Weavers Guild. This adds you to the newsletter email list.

**Our mailing address is:**

Fiber Guild of Greater Kansas City  
PO Box 7098  
Fiber Guild of Greater KC  
Kansas City, MO 64113

[Add us to your address book](#)

Want to change how you receive these emails?

You can [update your preferences](#) or [unsubscribe from this list](#)

MailChimp

---

**Christine Long Derks** <christine@treasuregoddess.com>  
To: V Tramposh <vtramposh@yahoo.com>

Tue, Sep 20, 2016 at 9:14 AM

**Christine Long Derks**

<http://www.treasuregoddess.com/>

TreasureGoddess Yarn - Treasure Yourself!

Luxury hand dyed yarn that takes your breath away

[Quoted text hidden]